



150mA ULTRA LOW DROPOUT REGULATOR

General Description

The MC1533 is a positive voltage regulator IC fabricated by high voltage EPNP process.

The MC1533 has features of wide input voltage range, high accuracy, high ripple rejection, low dropout voltage, low noise, current limit and ultra-low quiescent current which make it ideal for use in various USB and portable devices.

The IC consists of a voltage reference, an error amplifier, a resistor network for setting output voltage, a current limit circuit for current protection, and a chip enable circuit.

The MC1533 has a fixed output voltage of 3.3V.

The MC1533 is available in space-saving SOT-23-5, SOT-89 and SOT-89V/R packages.

Features

- Wide Input Voltage Range: 3.4V to 32V
- Excellent Ripple Rejection: 60dB@ f=1kHz
- Low Dropout Voltage: $V_{DROP}=100mV@ I_{OUT}=100\mu A$
- Low Ground Current
- High Output Voltage Accuracy
- Compatible with Low ESR Ceramic Capacitor
- Excellent Line/Load Regulation
- Thermal Shutdown Function

Applications

- Battery-powered Equipment
- Laptop, Palmtops, Notebook Computers
- Portable Information Appliances

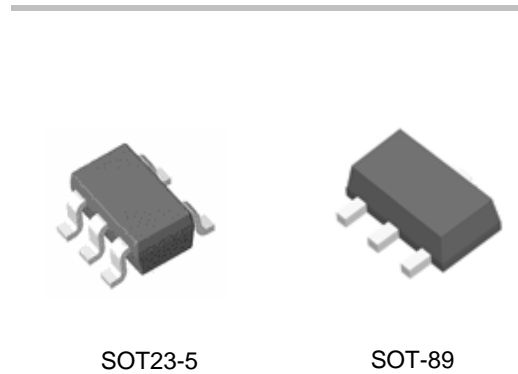


Figure 1: Package Type of MC1533

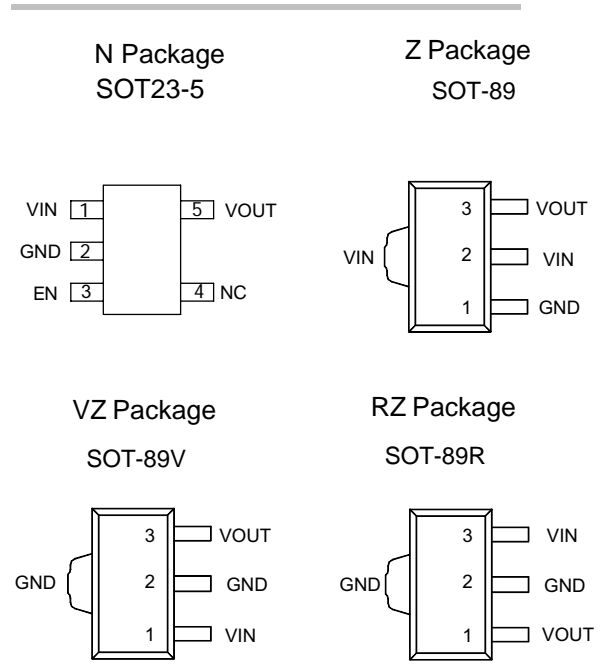
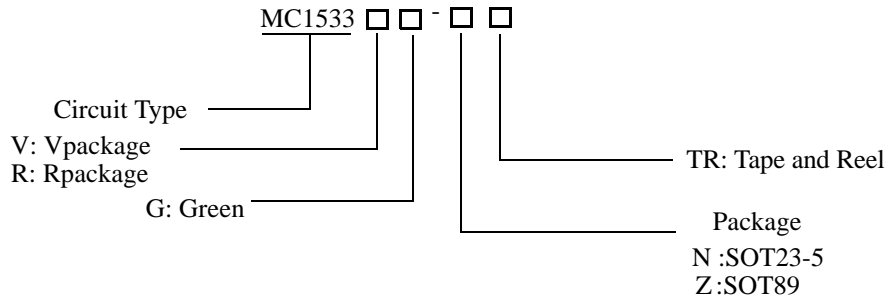


Figure 2: Pin Configuration of MC1533



150mA ULTRA LOW DROPOUT REGULATOR

Ordering Information



Package	Temperature Range	Part Number	Marking ID	Packing Type
SOT23-5	-40 to 85 °C	MC1533GNTR	1533G	Tape & Reel
SOT89	-40 to 85 °C	MC1533GZTR	MC1533G	Tape & Reel
SOT89 V	-40 to 85 °C	MC1533VGZTR	MG1533V	Tape & Reel
SOT89 R	-40 to 85 °C	MC1533RGZTR	MG1533R	Tape & Reel

Pin Description

Pin Number				Pin Name	Function
SOT-23-5	SOT-89				
	Z	VZ	RZ		
1	2	1	3	VIN	Input voltage
2	1	2	2	GND	Ground
3				EN	Enable input
4				NC	No connected for fixed version
5	3	3	1	VOUT	Regulated output voltage

Recommended Operating Conditions

Parameter	Symbol	Min	Max	Unit
Input Voltage	V _{IN}	3.4	32	V
Operating Junction Temperature Range	T _J	-40	125	°C

150mA ULTRA LOW DROPOUT REGULATOR

Functional Block Diagram

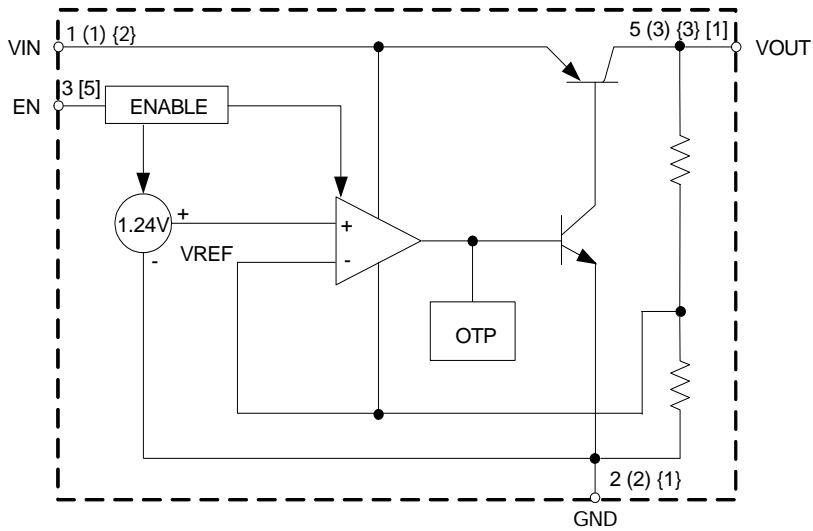


Figure 3. Functional Block Diagram of MC1533

Absolute Maximum Ratings (Note 1)

Parameter	Symbol	Value	Unit	
Supply Input Voltage	V_{IN}	38	V	
Enable Input Voltage	V_{CE}	38	V	
Output Current	I_{OUT}	250	mA	
Lead Temperature (Soldering, 10sec)	T_{LEAD}	260	°C	
Operating Junction Temperature	T_J	150	°C	
Thermal Resistance	θ_{JA}	SOT-23-5	250	°C/W
		SOT-89	165	
Storage Temperature Range	T_{STG}	-65 to 150	°C	
ESD (Machine Model)		275	V	
ESD (Human Body Model)		2000	V	

Note 1: Stresses greater than those listed under "Absolute Maximum Ratings" may cause permanent damage to the device. These are stress ratings only, and functional operation of the device at these or any other conditions beyond those indicated under "Recommended Operating Conditions" is not implied. Exposure to "Absolute Maximum Ratings" for extended periods may affect device reliability.

**150mA ULTRA LOW DROPOUT REGULATOR****Electrical Characteristics**

$V_{IN}=V_{OUT}+1V$, $T_J=25^{\circ}C$, $I_{OUT}=100\mu A$, $C_{IN}=1.0\mu F$, $C_{OUT}=2.2\mu F$, **Bold** typeface applies over $-40^{\circ}C \leq T_J \leq 125^{\circ}C$, unless otherwise specified.

Parameter	Symbol	Conditions	Min	Typ	Max	Unit
Output Voltage	V_{OUT}	Variation from Specified V_{OUT}	3.2		3.4	V
Reference Voltage	V_{REF}		1.215	1.24	1.265	V
Input Voltage	V_{IN}				32	V
Maximum Output Current	$I_{OUT(max)}$	$V_{IN}-V_{OUT}=1V$ $V_{OUT}=98\% \times V_{OUT}$	150	200		mA
Line Regulation	$\Delta V_{OUT}/\Delta V_{IN}$	$V_{OUT}+1V \leq V_{IN} \leq 24V$		0.05		%
Load Regulation	$\Delta V_{OUT}/V_{OUT}$	$1mA \leq I_{OUT} \leq 150mA$		0.5		%
Dropout Voltage	V_{DROP}	$I_{OUT}=100\mu A$		100	150	mV
		$I_{OUT}=50mA$		270	350	
		$I_{OUT}=100mA$		320	460	
		$I_{OUT}=150mA$		360	500	
Ground Current	I_{GND}	$I_{OUT}=100\mu A$		50		μA
		$I_{OUT}=50mA$		0.5		mA
		$I_{OUT}=100mA$		1.3		
		$I_{OUT}=150mA$		2.5		
Standby Current	I_{STD}	$V_{IN}=V_{OUT}+1V$ V_{EN} in OFF Mode		0.01	1.0	μA
Power Supply Rejection Ratio	PSRR	Ripple $0.5V_{P-P}$ $V_{IN}=V_{OUT}+1V$	f=100Hz		60	dB
			f=1kHz		60	
Output Voltage Temperature Coefficient	$\Delta V_{OUT}/(V_{OUT} \times \Delta T)$	$I_{OUT}=100\mu A$, $-40^{\circ}C \leq T_J \leq 125^{\circ}C$		± 100		ppm/ $^{\circ}C$
RMS Output Noise	V_{NOI}	$T_J=25^{\circ}C$, $10Hz \leq f \leq 100kHz$		30		μV_{rms}
EN Pin Current	I_{EN}	$V_{EN}=V_{OUT}+1V$		1		μA
EN "High" Voltage		EN Input Voltage "High"	2.0			V
EN "Low" Voltage		EN Input Voltage "Low"			0.4	V
Thermal Resistance (Junction to Case)	θ_{JC}	SOT-23-5		43		$^{\circ}C/W$
		SOT-89		27		



150mA ULTRA LOW DROPOUT REGULATOR

Electrical Characteristics

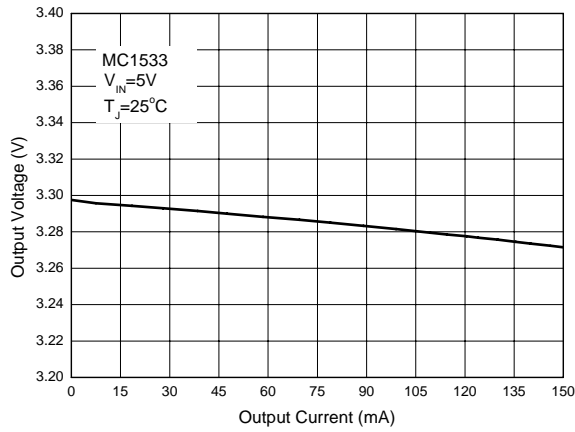


Figure 4. Output Voltage vs. Output Current

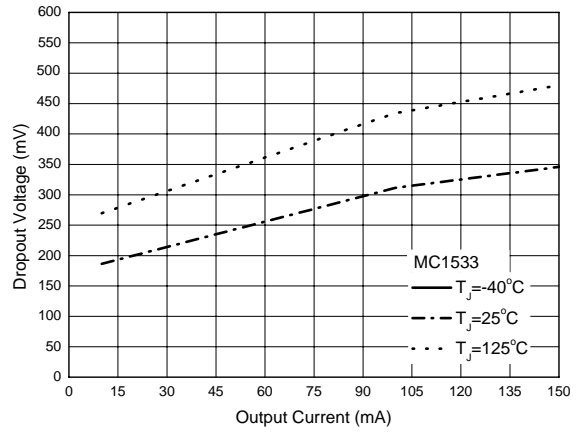


Figure 5. Dropout Voltage vs. Output Current

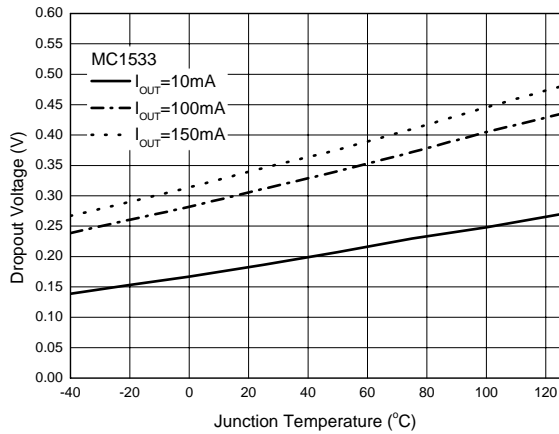


Figure 6. Dropout Voltage vs. Junction Temperature

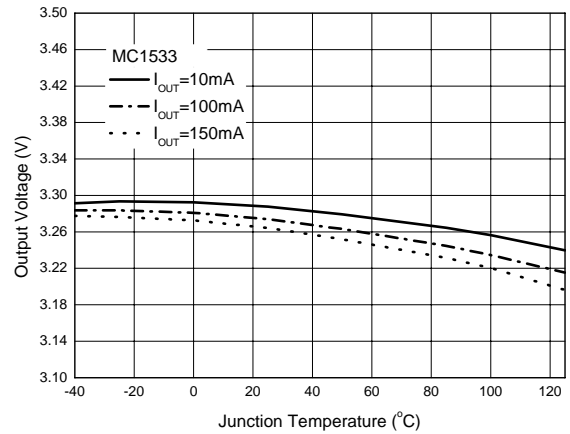


Figure 7. Output Voltage vs. Junction Temperature



150mA ULTRA LOW DROPOUT REGULATOR

Electrical Characteristics (Continued)

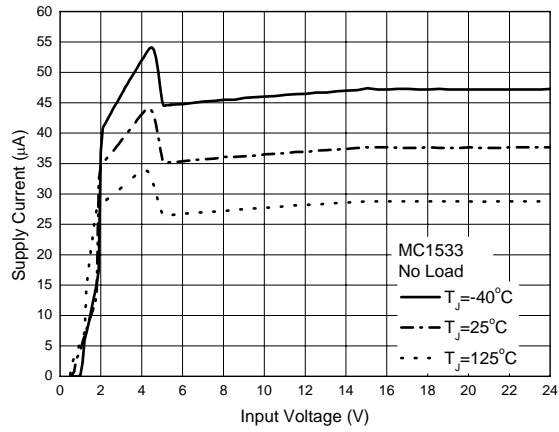
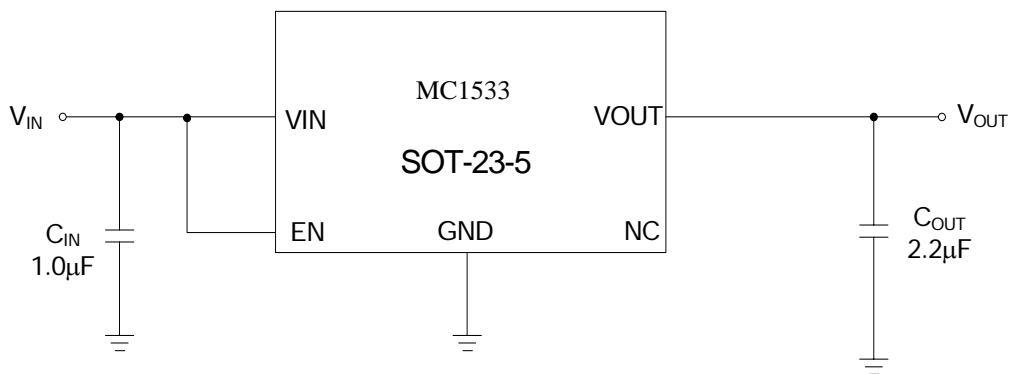
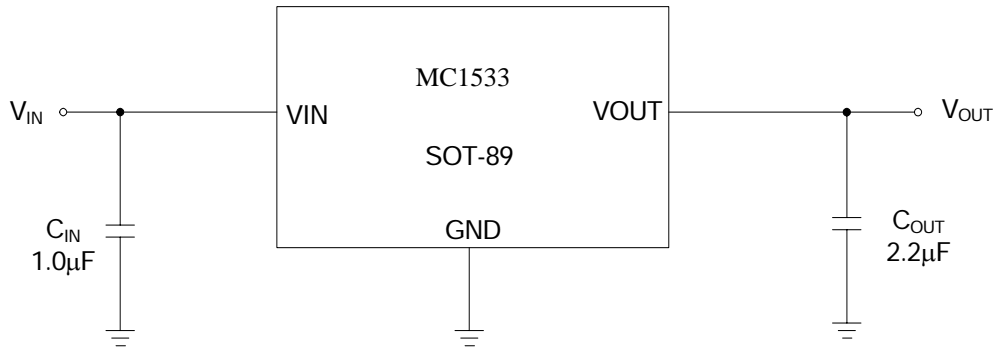


Figure 8. Supply Current vs. Input Voltage



150mA ULTRA LOW DROPOUT REGULATOR

Typical Application



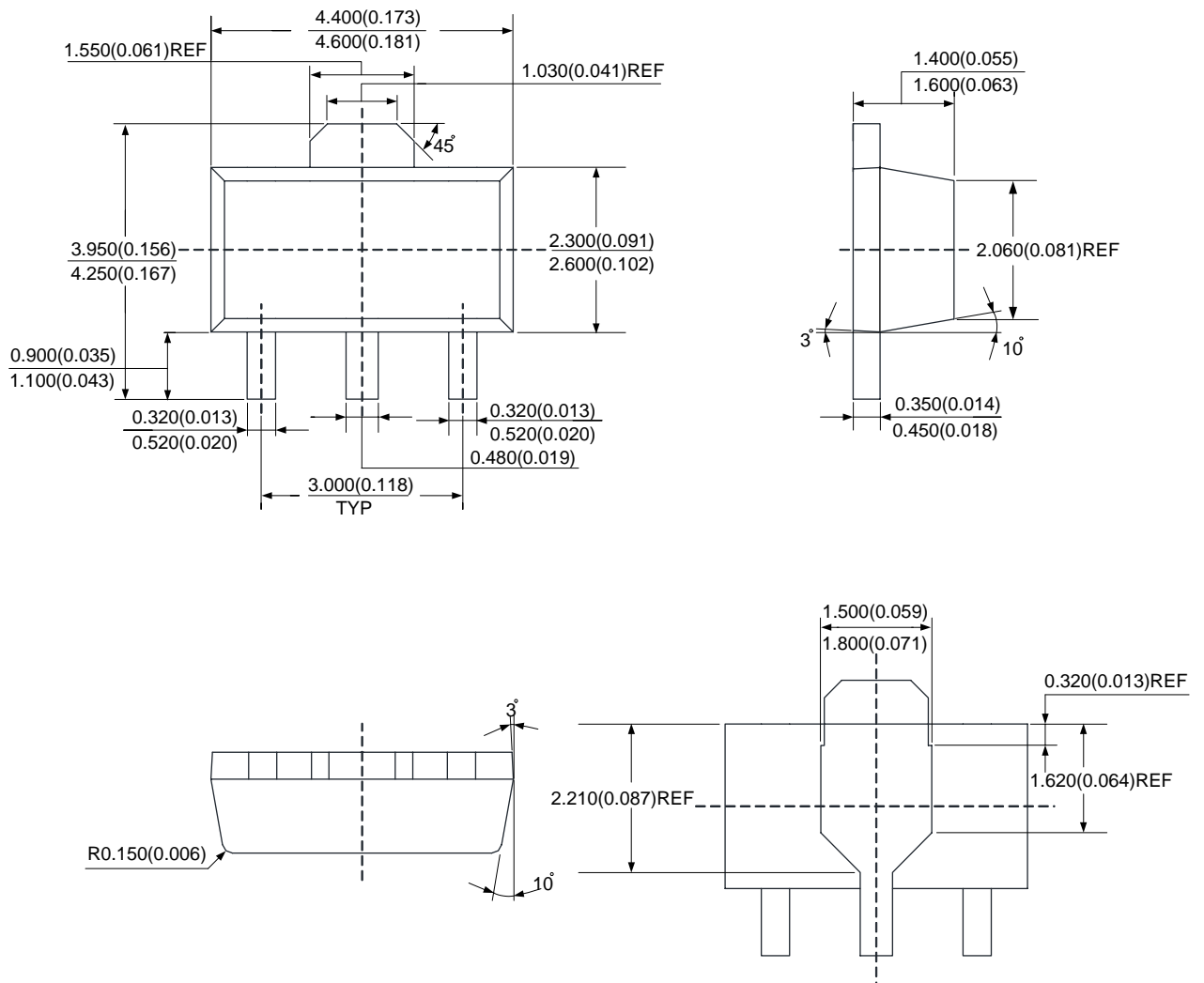


150mA ULTRA LOW DROPOUT REGULATOR

Mechanical Dimensions

SOT-89

Unit: mm(inch)



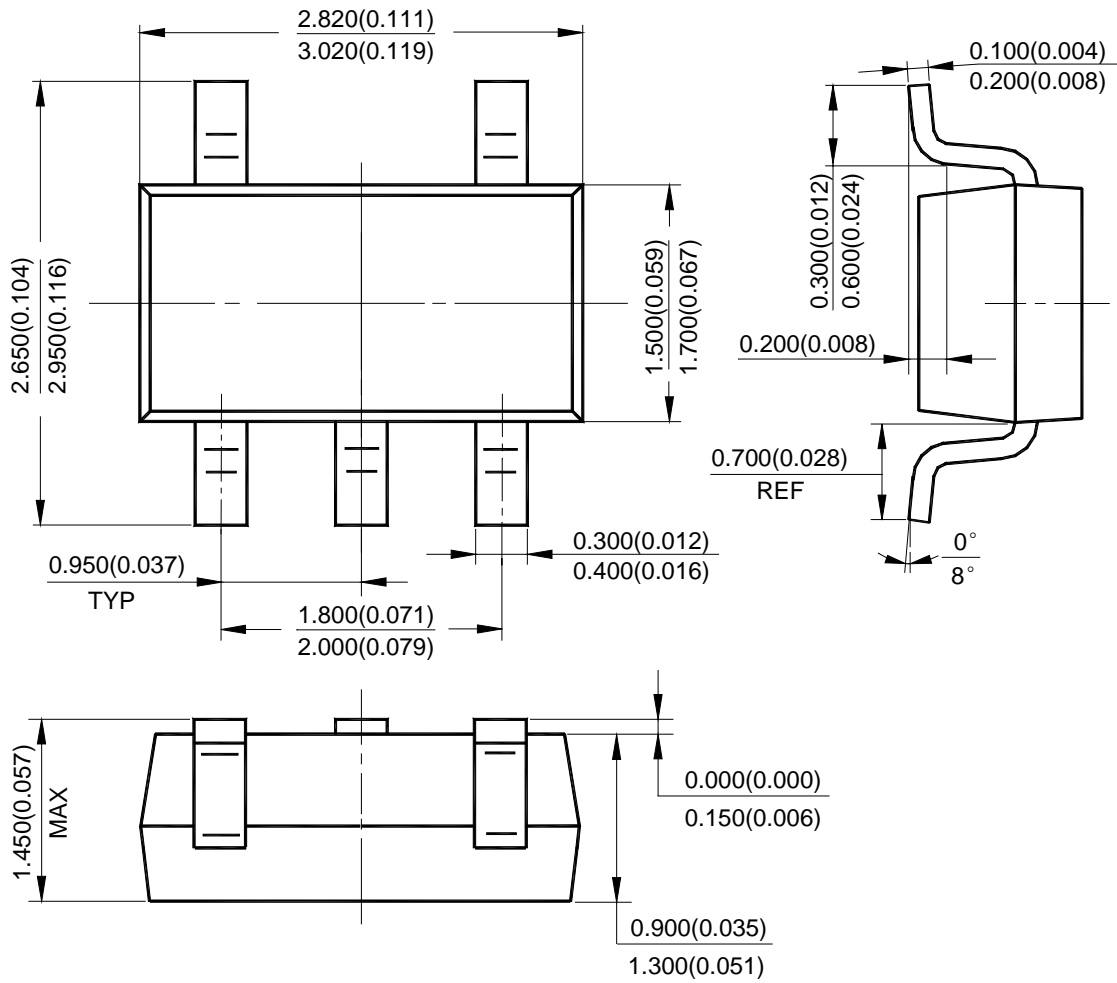


150mA ULTRA LOW DROPOUT REGULATOR

Mechanical Dimensions (Continued)

SOT-23-5

Unit: mm(inch)





CBC Microelectronics Co., Ltd

<http://www.cbcv.net>

IMPORTANT NOTICE

CBC Microelectronics Co., Ltd reserves the right to make modifications, enhancements, improvements, corrections or other changes without further notice to this document and any product described herein or to discontinue any product or service. Customers should obtain the latest relevant information before placing orders and should verify the latest and complete information. CBC Microelectronics does not assume any responsibility for use of any product, nor does CBC Microelectronics any liability arising out of the application or use of this document or any product or circuit described herein. CBC Microelectronics assumes no liability for applications assistance or the design of Customers' products. Customers are responsible for their products and applications using CBC Microelectronics components. CBC Microelectronics does not convey any license under its patent or trademark rights nor the other rights.

CBC Microelectronics Co., Ltd © 2004-2014.